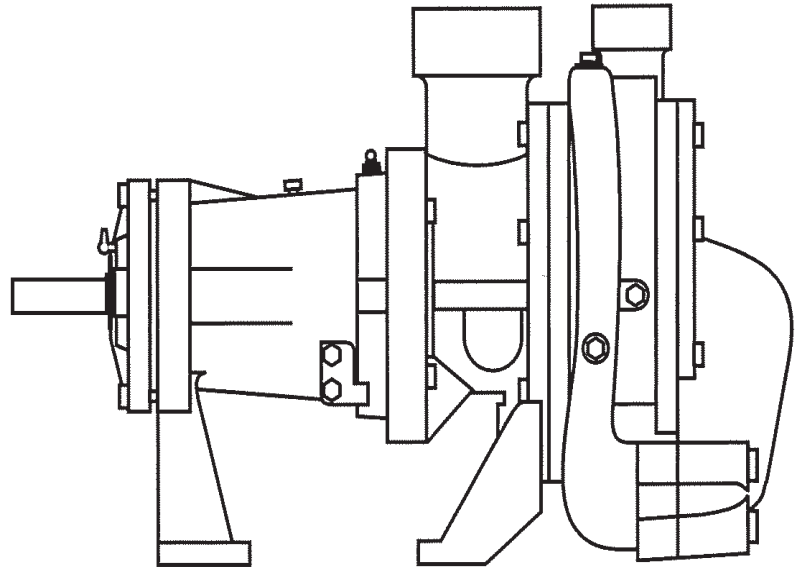




AURORA[®]



370 SERIES END SUCTION PUMPS

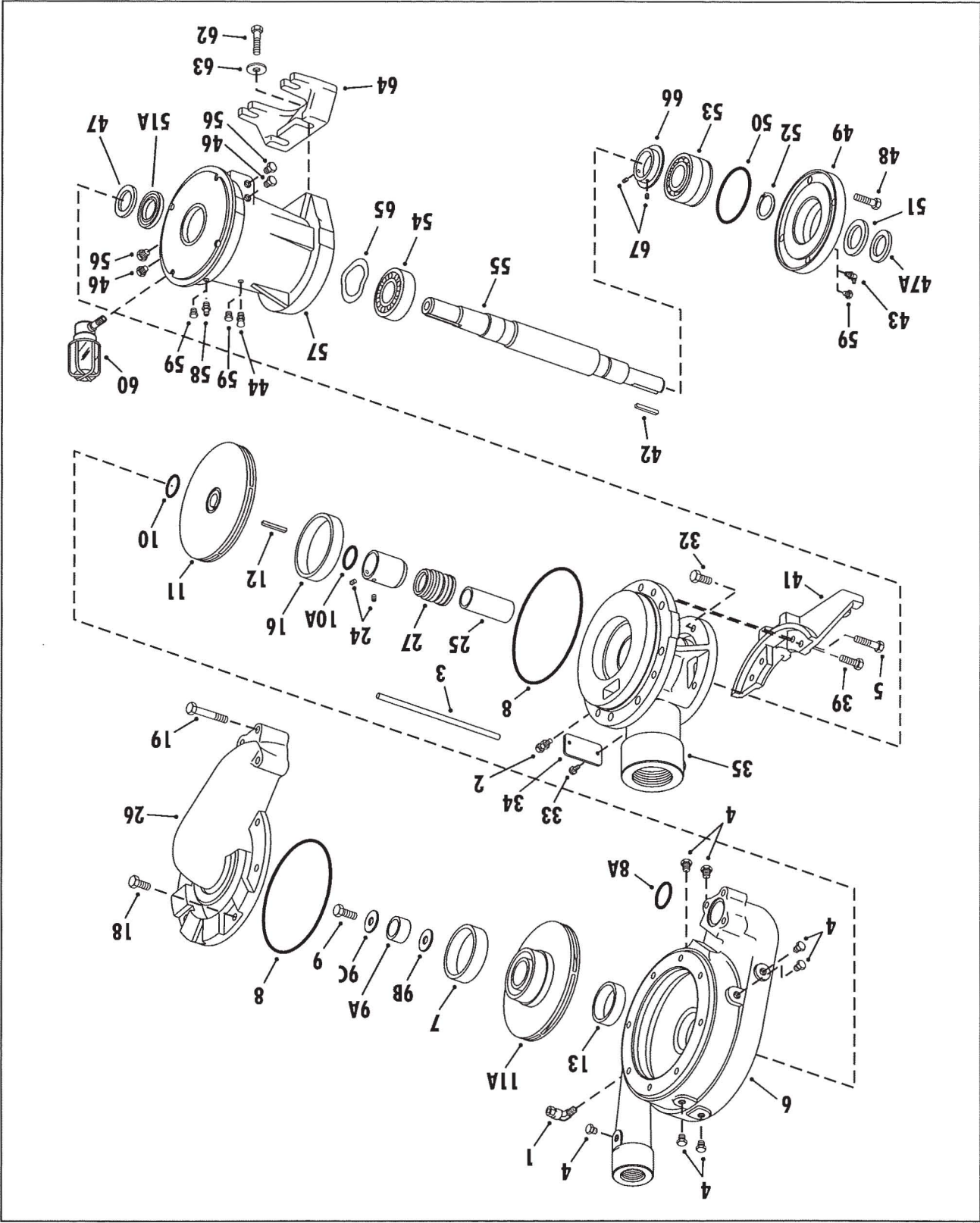
REPAIR PARTS INDEX

NOTE! Read and understand the pump and motor instructions before attempting to install, disassemble or repair the pump.

**370 SERIES
MODEL 374B**

TABLE OF CONTENTS

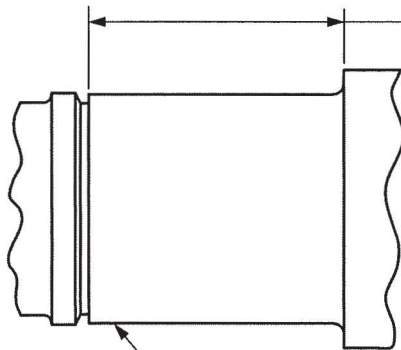
PUMP MODEL	DESCRIPTION	PAGE
374B	EXPLODED VIEW AND PIECE NUMBERS	3
374B	MODEL IDENTIFICATION	4
374B	1-1/2 x 3 x 10 #2 POWER FRAME - PARTS LIST	5
374B	1-1/2 x 3 x 10 #3A POWER FRAME - PARTS LIST	6
374B	2 x 4 x 10 #3 POWER FRAME - PARTS LIST	7



**370 SERIES
MODEL 374
PIECE NUMBERS**

SECTION 370P PAGE 3
DATED NOVEMBER 1999
SUPERSEDES 370P PAGE 3
DATED NOVEMBER 1988

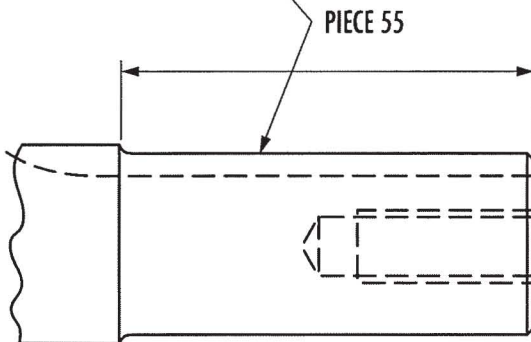
**MODEL 374
 IDENTIFICATION**



BEARING SHOULDER TO SNAP RING GROOVE OF THRUST BEARING

PART NO.	DIM.	MODEL	PUMP SIZE
7284985063	55/64	374	1-1/2 x 3 x 10
7284990063	1-25/32	374A	1-1/2 x 3 x 10
7284991063	1-25/32	374B	1-1/2 x 3 x 10
7280140063	1-1/64	374	2 x 4 x 10
7280406063	2-5/64	374B	2 x 4 x 10
7287103063	2-5/64	374B	1-1/2 x 3 x 10

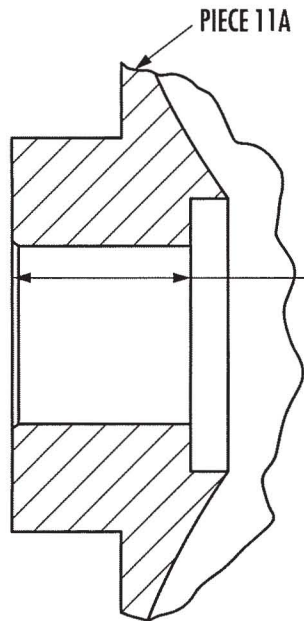
Powerframe
3A



END OF SHAFT TO SHOULDER AT IMPELLER END

PART NO.	DIM.	MODEL	PUMP SIZE
7284985063	2-1/4	374	1-1/2 x 3 x 10
7284990063	2-1/4	374A	1-1/2 x 3 x 10
7284991063	2-7/8	374B	1-1/2 x 3 x 10
7287103063	2-7/8	374B	1-1/2 x 3 x 10

Powerframe
3A



BORE LENGTH SECOND STAGE IMPELLER

PART NO.	DIM.	MODEL	PUMP SIZE
4430531010	23/32	374 & 374A	1-1/2 x 3 x 10
4430533010	23/32	374 & 374A	1-1/2 x 3 x 10
4432262010	1-1/4	374B	1-1/2 x 3 x 10
4432263010	1-1/4	374B	1-1/2 x 3 x 10

Refer to PARTS LISTS of individual model for part numbers.

NOTE: MODEL 374B PUMPS DESCRIBED IN THIS PARTS LIST HAVE BEEN MANUFACTURED SINCE JUNE 1978. FOR PUMPS MANUFACTURED PRIOR TO JUNE 1978 REFER TO NON-PRODUCTION SECTION OF THIS MANUAL.

**370 SERIES
MODELS 374B
1-1/2" x 3" x 10"
2 POWER FRAME
PARTS LIST**

SECTION 370P PAGE 5
DATED FEBRUARY 2013

SUPERSEDES 370P PAGE 5
DATED NOVEMBER 1999

PC. NO.	DESCRIPTION	QTY	PART NO.	MATERIAL		
				S.F.	A.I.	
1	COMP. ELBOW	1	868-3660	190		087
2	COMP. CONNECTOR	1	868-3359	190		087
3	TUBING	1	872-0124	175		087
4	PIPE PLUG	7	600-0002	087		087
5	CAPSCREW	2	168-0494	082		082
6	CASING	1	180-1810	010		010
7	CASE RING	1	676-1149	208		010
8	GASKET	2	364-0463	494		494
8A	GASKET	1	364-0418	494		494
9	IMP. SCREW	1	168-0490	113		113
9A	IMP. WASHER	1	908-0604	087		087
9B	GASKET	1	364-2035	603		603
9C	CAPSCREW SEAL	1	908-1292	999		999
10	GASKET	1	364-0415	494		494
10A	GASKET	1	364-0415	494		494
11	IMPELLER 1ST 9-1/2" - 7-9/16" DIA. 7-1/2" DIA. & SMALLER	1	443-0530	010		010
11A	IMPELLER 2ND	1	443-2483	010		010
12	IMPELLER KEY	1	443-2262	010		010
13	CASE RING	1	472-0261	087		087
16	CASE RING	1	676-1660	208		010
18	CAPSCREW	1	676-1659	208		010
19	CAPSCREW	8	168-0488	082		082
24	CAPSCREW	3	168-0502	082		082
25	SETScrew	2	724-0077	104		104
26	SLEEVE	1	756-0100	208		104
27	COVER	1	812-0065	010		010
27	SEAL					
	J.C. 21	1	712-1042	753		753
	J.C. 21 - HI TEMP	1	712-1042	769		769
	J.C. 1	1	712-0462	769		769
28	COLLAR					
	J.C. 21	1	224-0002	208		104
	J.C. 1	1	224-0003	208		104
32	CAPSCREW	4	168-0494	082		082
33	U DRIVE SCREW	2	708-0013	365		365
34	NAMEPLATE	1	532-0045	114		114
35	BRACKET	1	116-0032	010		010
39	CAPSCREW	8	168-0490	082		082
41	SUPPORT	1	820-0034	010		010

PC. NO.	DESCRIPTION	QTY	PART NO.	MATERIAL		
				S.F.	A.I.	
42	KEY	1	472-0247	087		087
43	GREASE FITTING	1	508-0005	651		651
44	VENT. TUBE	1	864-0051	656		656
46	PIPE PLUG	1	600-0002	087		087
47	SLINGER	1	764-1021	478		478
47A	SLINGER	1	764-1021	478		478
48	CAPSCREW	4	168-0488	082		082
49	BEARING CAP	1	164-0471	010		010
50	O-RING	1	364-0492	457		457
51	SEAL*	1	712-0233	653		653
51A	SEAL*	1	712-0233	653		653
52	RETAINING RING	1	676-0938	088		088
53	O.B. BEARING	1	068-0343	647		647
54	I.B. BEARING*	1	068-0425	647		647
55	SHAFT	1	728-4991	063		063
56	PIPE PLUG	2	600-0002	087		087
57	FRAME-OIL LUBE	1	356-0232	010		010
	GREASE LUBE	1	356-0202	010		010
58	GREASE FITTING	1	508-0001	651		651
59	PIPE PLUG	1	600-0001	087		087
60	OILER	1	552-0027	652		652
61	NIPPLE	1	600-1206	387		387
62	CAPSCREW	2	168-0490	082		082
63	WASHER	2	908-0114	080		080
64	SUPPORT	1	820-0033	010		010
65	WASHER	1	908-0144	088		088
66	GREASE RETAINER*	1	672-0052	058		058
67	SETScrew*	2	724-0077	104		104

*** OIL LUBE OPTION:**

PIECE NO'S. 66 AND 67 ARE NOT REQUIRED.

PIECE NO. 54 IS PART NO. 068-0159-647.

PIECE NO'S. 51 AND 51A ARE PART NO'S. 712-0054-653.

FIELD CONVERSION TO OIL LUBE REQUIRES:

1. THAT SEALS 712-0054-653 BE USED.
2. THAT INITIAL GREASE FILL BE REMOVED FROM BEARING 068-0343-657.

**370 SERIES
MODEL 374B
1-1/2" x 3" x 10"
3A POWER FRAME
PARTS LIST**

PC. NO.	DESCRIPTION	QTY	PART NO.	MATERIAL		
				S.F.		A.I.
1	COMP. ELBOW	1	868-3660	190		087
2	COMP. CONNECTOR	1	868-3359	190		087
3	TUBING	1	872-0124	175		087
4	PIPE PLUG	7	600-0002	087		087
5	CAPSCREW	2	168-0494	082		082
6	CASING	1	180-1810	010		010
7	CASE RING	1	676-1149	208		010
8	GASKET	2	364-0463	494		494
8A	GASKET	1	364-0418	494		494
9	IMP. SCREW	1	168-0490	113		113
9A	IMP. WASHER	1	908-0604	087		087
9B	GASKET	1	364-2035	803		803
9C	CAPSCREW SEAL	1	908-1292	999		999
10	GASKET	1	364-0415	494		494
10A	GASKET	1	364-0415	494		494
11	IMPELLER 1ST	1	443-0530	010		010
11A	IMPELLER 2ND	1	443-2262	010		010
12	IMPELLER KEY	1	472-0261	087		087
13	CASE RING	1	676-1660	208		010
16	CASE RING	1	676-1659	208		010
18	CAPSCREW	8	168-0488	082		082
19	CAPSCREW	3	168-0502	082		082
24	SETSCREW	2	724-0077	104		104
25	SLEEVE	1	756-0100	208		104
26	COVER	1	812-0065	010		010
27	SEAL					
	J.C. 21	1	712-1042	753		753
	J.C. 21 - HI TEMP	1	712-1042	769		769
	J.C. 1	1	712-0462	769		769
28	COLLAR					
	J.C. 21	1	224-0002	208		104
	J.C. 1	1	224-0003	208		104
32	CAPSCREW	4	168-0492	082		082
33	U DRIVE SCREW	2	708-0013	365		365
34	NAMEPLATE	1	532-0045	114		114
35	BRACKET	1	116-0032	010		010
39	CAPSCREW	8	168-0490	082		082
41	SUPPORT	1	820-0034	010		010

PC. NO.	DESCRIPTION	QTY	PART NO.	MATERIAL		
				S.F.		A.I.
42	KEY	1	472-0247	087		087
43	GREASE FITTING	1	508-0005	651		651
44	VENT. TUBE	1	864-0051	656		656
46	PIPE PLUG	1	600-0002	087		087
47	SLINGER	1	764-1026	478		478
47A	SLINGER	1	764-1021	478		478
48	CAPSCREW	1	168-0492	082		082
49	BEARING CAP	1	164-0472	010		010
50	O-RING	1	364-0438	457		457
51	SEAL*	1	712-0233	653		653
51A	SEAL*	1	712-0234	653		653
52	RETAINING RING	1	676-0944	088		088
53	O.B. BEARING	1	068-0345	647		647
54	I.B. BEARING*	1	068-0427	647		647
55	SHAFT	1	728-7103	063		063
56	PIPE PLUG	2	600-0002	087		087
57	FRAME-OIL LUBE	1	356-0233	010		010
	GREASE LUBE	1	356-0203	010		010
58	GREASE FITTING	1	508-0001	651		651
59	PIPE PLUG	1	600-0001	087		087
60	OILER	1	552-0027	652		652
61	NIPPLE	1	600-1206	387		387
62	CAPSCREW	2	168-0490	082		082
63	WASHER	2	908-0114	080		080
64	SUPPORT	1	820-0033	010		010
65	WASHER	1	908-0146	088		088
66	GREASE RETAINER*	1	672-0051	058		058
67	SETSCREW*	2	724-0077	104		104

*** OIL LUBE OPTION:**

PIECE NO'S. 66 AND 67 ARE NOT REQUIRED.

PIECE NO. 54 IS PART NO. 068-0161-647.

PIECE NO. 51 IS PART NO. 712-0054-653.

PIECE NO. 51A IS PART NO. 712-0056-653.

FIELD CONVERSION TO OIL LUBE REQUIRES:

1. THAT SEALS 712-0054-653 AND 712-0056-653 BE USED.
2. THAT INITIAL GREASE FILL BE REMOVED FROM BEARING 068-0345-657.

**370 SERIES
MODELS 374B
2" x 4" x 10"
3 POWER FRAME
PARTS LIST**

SECTION 370P PAGE 7
DATED FEBRUARY 2013

SUPERSEDES 370P PAGE 7
DATED NOVEMBER 1999

PC. NO.	DESCRIPTION	Q T Y	PART NO.	MATERIAL	
				S.F.	A.I.
1	COMP. ELBOW	1	868-3660	190	087
2	COMP. CONNECTOR	1	868-3359	190	087
3	TUBING	1	872-0124	175	087
4	PIPE PLUG	7	600-0002	087	087
5	CAPSCREW	2	168-0494	082	082
6	CASING	1	180-0373	010	010
7	CASE RING	1	676-0393	208	010
8	GASKET	2	364-0465	494	494
8A	GASKET	1	364-0422	494	494
9	IMP. SCREW	1	168-0490	113	113
9A	IMP. WASHER	1	908-0613	087	087
9B	GASKET	1	364-2025	803	803
9C	CAPSCREW SEAL	1	908-1292	999	999
10	GASKET	1	364-0417	457	457
10A	GASKET	1	364-0415	494	494
11	IMPELLER 1ST	1	443-2074	010	010
11A	IMPELLER 2ND	1	443-0991	010	010
12	IMPELLER KEY	1	472-0260	087	087
13	CASE RING	1	676-0394	208	010
16	CASE RING	1	676-0392	208	010
18	CAPSCREW	8	168-0488	082	082
19	CAPSCREW	3	168-0502	082	082
24	SETSCREW	2	724-0077	104	104
25	SLEEVE	1	756-0128	208	104
26	COVER	1	812-0068	010	010
27	SEAL				
	J.C. 21	1	712-1042	753	753
	J.C. 21 - HI TEMP	1	712-1042	769	769
	J.C. 1	1	712-0462	769	769
28	COLLAR				
	J.C. 21	1	224-0007	208	104
	J.C. 1	1	224-0008	208	104
32	CAPSCREW	4	168-0492	082	082
33	U DRIVE SCREW	2	708-0013	365	365
34	NAMEPLATE	1	532-0045	114	114
35	BRACKET	1	116-0083	010	010
39	CAPSCREW	8	168-0490	082	082
41	SUPPORT	1	820-0123	010	010

PC. NO.	DESCRIPTION	Q T Y	PART NO.	MATERIAL	
				S.F.	A.I.
42	KEY	1	472-0318	087	087
43	GREASE FITTING	1	508-0005	651	651
44	VENT. TUBE	1	864-0051	656	656
46	PIPE PLUG	1	600-0002	087	087
47	SLINGER	1	764-1026	478	478
47A	SLINGER	1	764-1021	478	478
48	CAPSCREW	4	168-0492	082	082
49	BEARING CAP	1	164-0472	010	010
50	O-RING	1	364-0438	457	457
51	SEAL*	1	712-0233	653	653
51A	SEAL*	1	712-0234	653	653
52	RETAINING RING	1	676-0944	088	088
53	O.B. BEARING	1	068-0345	647	647
54	I.B. BEARING*	1	068-0427	647	647
55	SHAFT	1	728-0406	063	063
56	PIPE PLUG	2	600-0002	087	087
57	FRAME-OIL LUBE	1	356-0233	010	010
	GREASE LUBE	1	356-0203	010	010
58	GREASE FITTING	1	508-0001	651	651
59	PIPE PLUG	1	600-0001	087	087
60	OILER	1	552-0027	652	652
61	NIPPLE	1	600-1206	387	387
62	CAPSCREW	2	168-0490	082	082
63	WASHER	2	908-0114	080	080
64	SUPPORT	1	820-0122	010	010
65	WASHER	1	908-0146	088	088
66	GREASE RETAINER*	1	672-0051	058	058
67	SETSCREW*	2	724-0077	104	104

*** OIL LUBE OPTION:**

PIECE NO'S. 66 AND 67 ARE NOT REQUIRED.

PIECE NO. 54 IS PART NO. 068-0161-647.

PIECE NO. 51 IS PART NO. 712-0054-653.

PIECE NO. 51A IS PART NO. 712-0056-653.

FIELD CONVERSION TO OIL LUBE REQUIRES:

1. THAT SEALS 712-0054-653 AND 712-0056-653 BE USED.

2. THAT INITIAL GREASE FILL BE REMOVED FROM

BEARING 068-0345-647.

WARRANTY

Seller warrants equipment (and its component parts) of its own manufacture against defects in materials and workmanship under normal use and service for one (1) year from the date of installation or start-up, or for eighteen (18) months after the date of shipment, whichever occurs first. Seller does not warrant accessories or components that are not manufactured by Seller; however, to the extent possible, Seller agrees to assign to Buyer its rights under the original manufacturer's warranty, without recourse to Seller. Buyer must give Seller notice in writing of any alleged defect covered by this warranty (together with all identifying details, including the serial number, the type of equipment, and the date of purchase) within thirty (30) days of the discovery of such defect during the warranty period. No claim made more than 30 days after the expiration of the warranty period shall be valid. Guarantees of performance and warranties are based on the use of original equipment manufactured (OEM) replacement parts. Seller assumes no responsibility or liability if alterations, non-authorized design modifications and/or non-OEM replacement parts are incorporated. If requested by Seller, any equipment (or its component parts) must be promptly returned to Seller prior to any attempted repair, or sent to an authorized service station designated by Seller, and Buyer shall prepay all shipping expenses. Seller shall not be liable for any loss or damage to goods in transit, nor will any warranty claim be valid unless the returned goods are received intact and undamaged as a result of shipment. Repaired or replaced material returned to customer will be shipped F.O.B., Seller's factory. Seller will not give Buyer credit for parts or equipment returned to Seller, and will not accept delivery of any such parts or equipment, unless Buyer has obtained Seller's approval in writing. The warranty extends to repaired or replaced parts of Seller's manufacture for ninety (90) days or for the remainder of the original warranty period applicable to the equipment or parts being repaired or replaced, whichever is greater. This warranty applies to the repaired or replaced part and is not extended to the product or any other component of the product being repaired. Repair parts of its own manufacture sold after the original warranty period are warranted for a period of one (1) year from shipment against defects in materials and workmanship under normal use and service. This warranty applies to the replacement part only and is not extended to the product or any other component of the product being repaired. Seller may substitute new equipment or improve part(s) of any equipment judged defective without further liability. All repairs or services performed by Seller, which are not covered by this warranty, will be charged in accordance with Seller's standard prices then in effect.

THIS WARRANTY IS THE SOLE WARRANTY OF SELLER AND SELLER HEREBY EXPRESSLY DISCLAIMS AND BUYER WAIVES ALL OTHER WARRANTIES EXPRESSED, IMPLIED IN LAW OR IMPLIED IN FACT, INCLUDING ANY WARRANTIES OF MERCHANTABILITY OR FITNESS FOR A PARTICULAR PURPOSE. Seller's sole obligation under this warranty shall be, at its option, to repair or replace any equipment (or its component parts) which has a defect covered by this warranty, or to refund the purchase price of such equipment or part. Under the terms of this warranty, Seller shall not be liable for (a) consequential, collateral, special or liquidated losses or damages; (b) equipment conditions caused by normal wear and tear, abnormal conditions of use, accident, neglect, or misuse of said equipment; (c) the expense of, and loss or damage caused by, repairs or alterations made by anyone other than the Seller; (d) damage caused by abrasive materials, chemicals, scale deposits, corrosion, lightning, improper voltage, mishandling, or other similar conditions; (e) any loss, damage, or expense relating to or resulting from installation, removal or reinstallation of equipment; (f) any labor costs or charges incurred in repairing or replacing defective equipment or parts, including the cost of reinstalling parts that are repaired or replaced by Seller; (g) any expense of shipment of equipment or repaired or replacement parts; or (h) any other loss, damage or expense of any nature.

The above warranty shall not apply to any equipment which may be separately covered by any alternate or special warranties.

PERFORMANCE: In the absence of Certified Pump Performance Tests, equipment performance is not warranted or guaranteed. Performance curves and other information submitted to Buyer are approximate and no warranty or guarantee shall be deemed to arise as a result of such submittal. All testing shall be done in accordance with Seller's standard policy under Hydraulic Institute procedures.

LIABILITY LIMITATIONS: Under no circumstances shall the Seller have any liability under the Order or otherwise for liquidated damages or for collateral, consequential or special damages or for loss of profits, or for actual losses or for loss of production or progress of construction, regardless of the cause of such damages or losses. In any event, Seller's aggregate total liability under the Order or otherwise shall not exceed the contract price.

ACTS OF GOD: Seller shall in no event be liable for delays in delivery of the equipment or other failures to perform caused by fires, acts of God, strikes, labor difficulties, acts of governmental or military authorities, delays in transportation or procuring materials, or causes of any kind beyond Seller's control.

COMPLIANCE WITH LAW: Seller agrees to comply with all United States laws and regulations applicable to the manufacturing of the subject equipment. Such compliance shall include: The Fair Labor Standards Acts of 1938, as amended; Equal Employment Opportunity clauses of Executive Order 11246, as amended; Occupational Safety and Health Act of 1970 and the standards promulgated thereunder, if applicable. Since compliance with the various Federal, State, and Local laws and regulations concerning occupational health and safety, pollution or local codes are affected by the use, installation and operation of the equipment and other matters over which Seller has no control, Seller assumes no responsibility for compliance with those laws and regulations, whether by way of indemnity, warranty, or otherwise. It is incumbent upon the Buyer to specify equipment which complies with local codes and ordinances.



AURORA®

800 Airport Road
North Aurora, Illinois 60542
630-859-7000
www.aurorapump.com